



Electric Motor Coil Co.

TOLL FREE: 1-855-COM@COIL
 (1-855-266-2645)
 Fax: 705.733.5652
 Email: lucas@emccltd.com

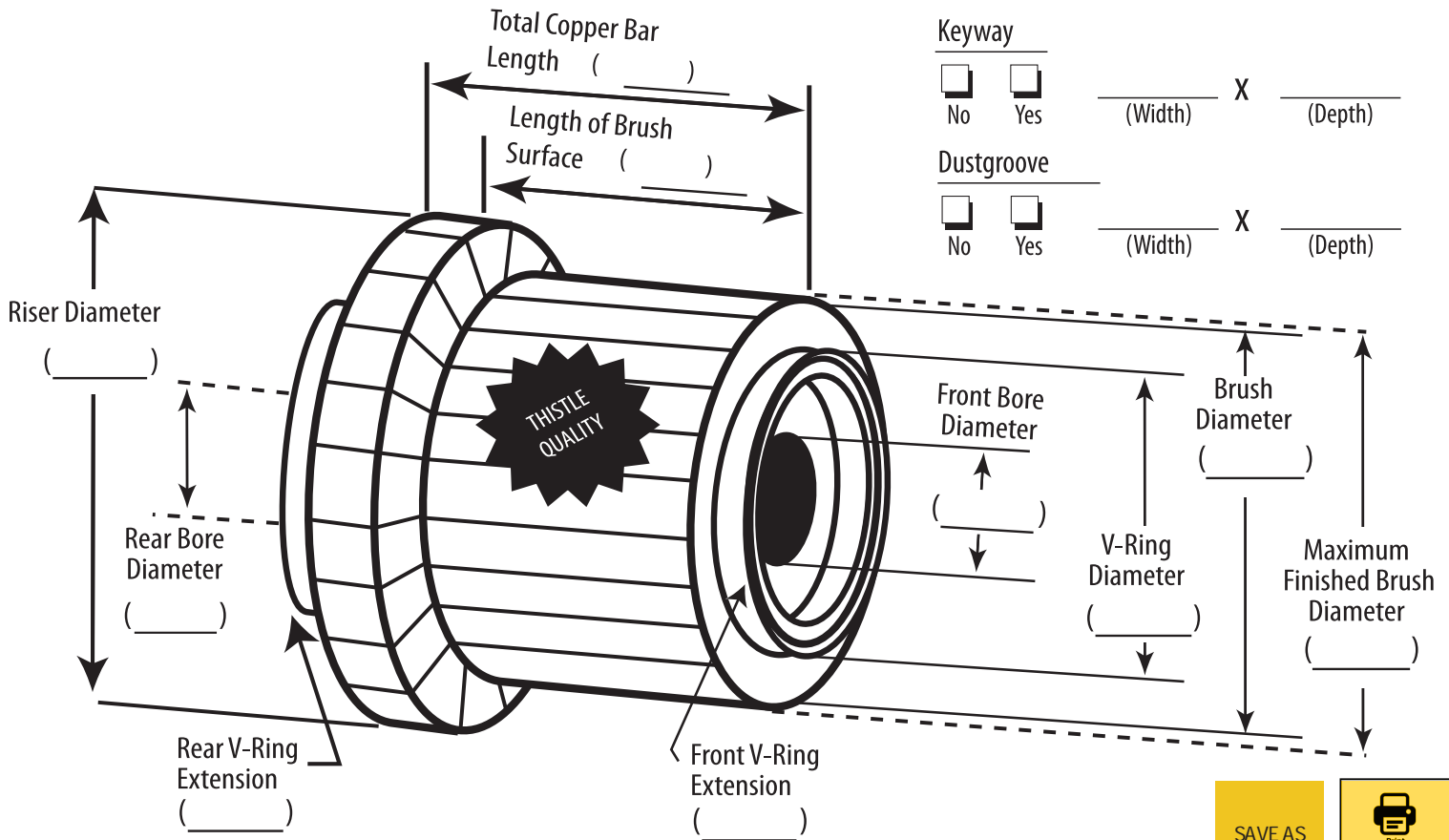
COMMUTATOR DATA

CLEAR FORM



Customer Name:		Date:	
Make of Motor / Generator:	Number of bars:	Keyway Alignment Centre Line of: <input type="checkbox"/> COPPER <input type="checkbox"/> MICA <input type="checkbox"/> NOT APPLICABLE	
Type:	H.P.	R.P.M.	Wire Size: # of Wires Per Slot: # In Hand: <input type="checkbox"/> Yes <input type="checkbox"/> No
Mica Size:	Riser Width:	Equalizer Size:	

SELECT COMMUTATOR TYPE			SELECT BORE TYPE	SELECT RISER TYPE	
<input type="checkbox"/>	<input type="checkbox"/>	<input type="checkbox"/>	<input type="checkbox"/>	<input type="checkbox"/>	<input type="checkbox"/>
<input type="checkbox"/>	<input type="checkbox"/>	<input type="checkbox"/>	<input type="checkbox"/>	<input type="checkbox"/>	<input type="checkbox"/>



SAVE AS PRINT FORM